



# MIGHTY MICRO ELECTROMAGNET

## OPERATION & INSTALLATION DETAILS

**Two models available; 12 and 24 V.DC**

Each can be operated continuously at their rated voltage or intermittently at up to double the rated voltage, depending on Duty Cycle (time on/time off).

### **12 volt model (STMM12)**

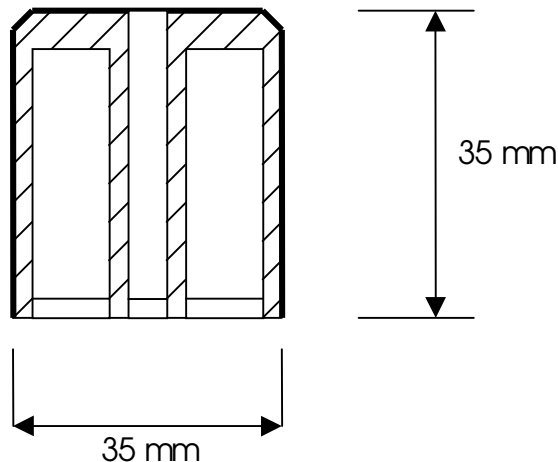
Continuous operation @ approx. 200 mA  
Intermittent operation up to 24 volts DC for max 10 minutes on, 400 mA

### **24 volt model (STMM24)**

Continuous operation @ approx. 150 mA  
Intermittent operation up to 48 volts DC for max 10 minutes on, 300 mA

(These are approximate values only)

### Sectional View



**Mounting options:** 3/16" Whitworth socket head screw for mounting from face, OR, M6 screw or bolt for mounting from rear.

Serpent and Dove Pty Ltd  
[www.serpent-dove.com](http://www.serpent-dove.com)  
Sydney, Australia  
(61) 2 99717577  
[sales@serpent-dove.com](mailto:sales@serpent-dove.com)